

# Smart IP66 PIR Integrated Fixture Mount Sensors with Bluetooth™ Connectivity and UV Stable Plastic



## Description

The Leviton Smart IP66 Passive Infrared (PIR) Integrated Fixture Mount Sensors are designed for use with switching or 0-10V LED dimming drivers, and fluorescent ballasts. The sensors use PIR detection technology and advanced optics to provide an exceptional Field-of-View (FOV) for mounting heights from 8-40 ft.

The sensors detect motion and turn lights ON when an occupant passes in or out of a sensor zone. The lights remain ON as long as the occupant moves through the sensor zones and after throughout the timeout period. The sensor uses a minor motion feature to detect small body movements which allows the lights to stay ON when individuals in the space are nearly stationary. The major motion feature exhibits a lesser degree of sensitivity requiring larger movements.

Configuration is made using the Leviton Smart Sensor App from a smartphone or other Bluetooth®-enabled Android or iOS device.

## Applications

- Warehouses
- Loading bays
- Outdoor lighting
- Parking garages
- Gymnasiums
- Libraries
- High-bay applications

## Features

- Can be used to comply with IECC, ASHRAE 90.1, and 2019 Title 24, Part 6 occupancy/vacancy sensing and dimming requirements
- IP66 rated (when installed in an appropriate IP66 rated enclosure/fixture)
- 120-277V Models
  - 120-277VAC 1-pole
- Universal voltage models
  - 120-347VAC 1-pole
  - 208-480VAC 2-pole

## Features, cont'd

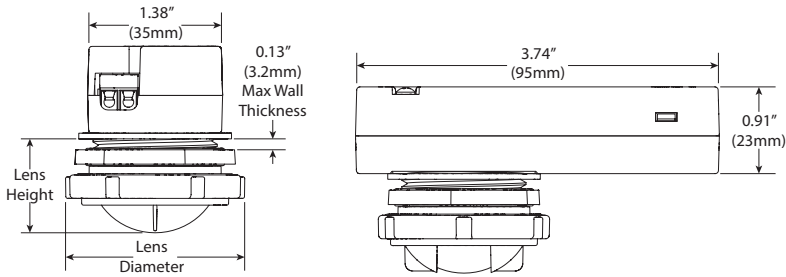
- Mesh grouping
  - 16 devices per group
    - Max distance of 50' sensor to sensor
    - Max distance of 150' from first sensor to last sensor (must have line-of-sight and no interference)
  - Occupancy
  - Daylighting
- Scheduling - Universal voltage models only
  - Weekly scheduling
  - Time clock or astronomical clock
  - Change level, operating mode, daylight mode
  - Models without the integral scheduling feature can be part of a group with scheduling
  - Controls LED lighting loads up to 6.7A
- Single-level switching
- Occupancy mode:
  - Disabled (Photocell only)
  - Auto-ON/Auto-OFF
- 360° field-of-view provides up to 8,250 square feet of coverage
  - 8-20 ft. and 20-40 ft. lenses plus aisle way masks included
- Daylight control modes:
  - Disabled
  - Ambient light hold OFF (switching)
  - Daylight harvesting (0-10V continuous dimming)
  - Daylight Transition Lighting (reverse daylight harvesting)
- Out-of-the-box configuration default mode:
  - Auto-ON/Auto-OFF with 20-minute timeout
  - Sensitivity set to high
    - Daylight harvesting enabled with auto calibration enabled
- Advanced configuration is made using the Leviton Smart Sensor App on any Bluetooth-enabled Android or iOS device:
  - Adjust the sensitivity of the sensor to increase or decrease coverage area
  - Adjust timeouts
  - Set and configure daylight mode
    - Auto and manual calibration
    - Set a security code to lock configuration settings
    - Configure dimming options such as high and low trim, partial-OFF, and partial-OFF timeouts

## Leviton Manufacturing Co., Inc. Global Headquarters

201 North Service Road, Melville, NY 11747-3138 **tel** 800-323-8920 **tech line** (8:30AM-7:00PM ET Mon-Fri) 800-824-3005

©2022 Leviton Manufacturing Co., Inc. All rights reserved. Subject to change without notice.

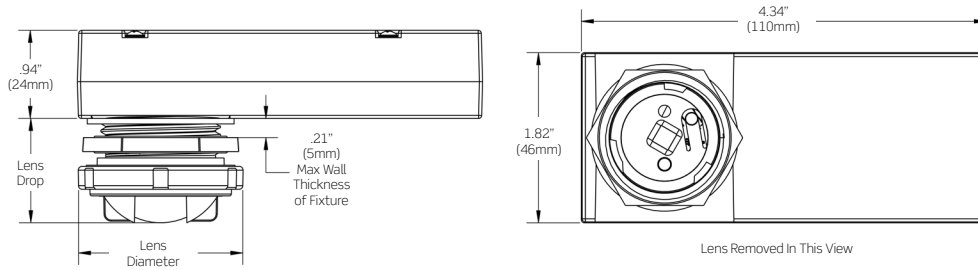
## Dimensions Diagram ZLD1Z



### Lens Dimensions

	Low Bay Lens	High Bay Lens
Lens Diameter	1.84" (46.7mm)	2.86" (72.6mm)
Lens Height	1.08" (27mm)	1.45" (36.8mm)

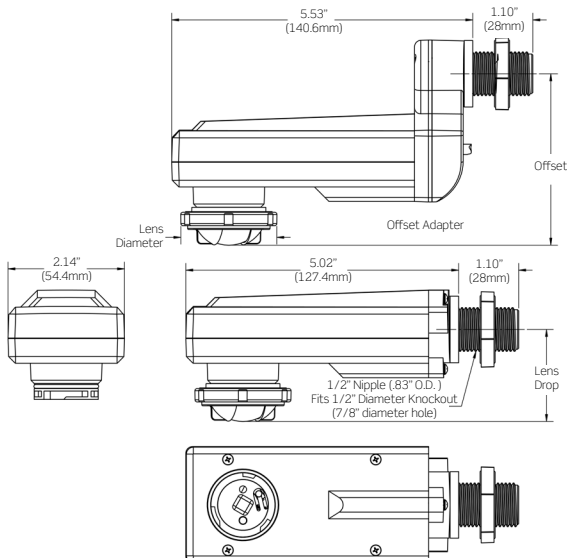
## Dimensions Diagram ZLDUZ



### Lens Dimensions

	Low Bay Lens	High Bay Lens
Lens Diameter	1.84" (46.7mm)	2.86" (72.6mm)
Lens Height	1.17" (39.1mm)	1.54" (39.1mm)

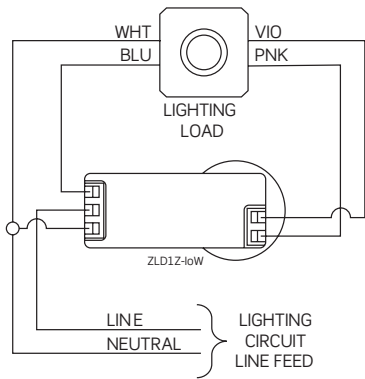
## Dimensions Diagram OFD1Z and OFDUZ



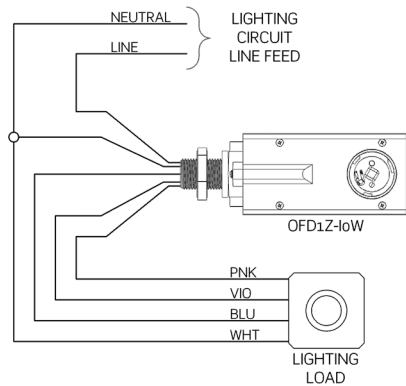
### Lens Dimensions

	Low Bay Lens	High Bay Lens
Lens Diameter	1.84" (46.7mm)	2.86" (72.6mm)
Lens Drop Straight Adapter	1.69" (42.9mm)	2.06" (52.3mm)
Lens Drop Offset Adapter	3.14" (79.9mm)	3.51" (89.3mm)

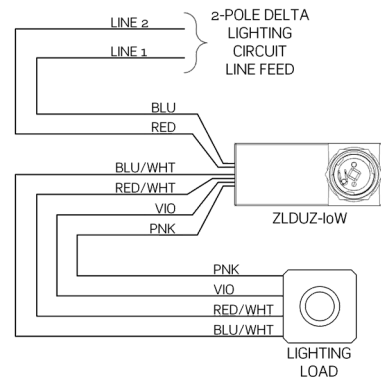
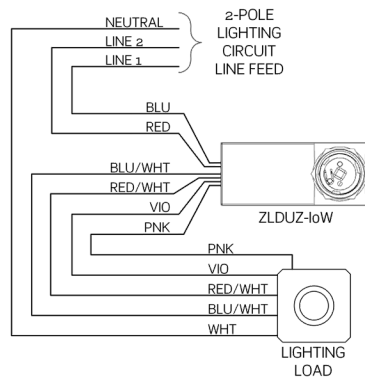
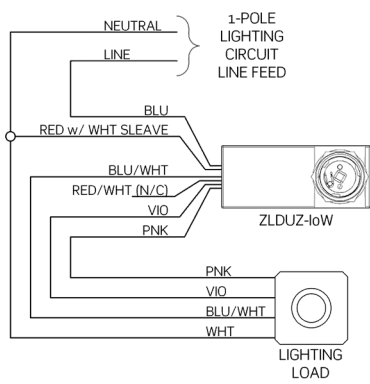
**Wiring Diagrams ZLD1Z**



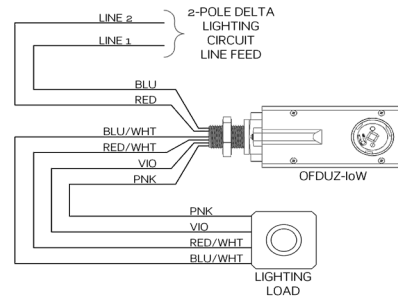
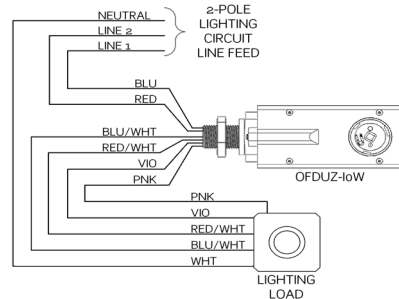
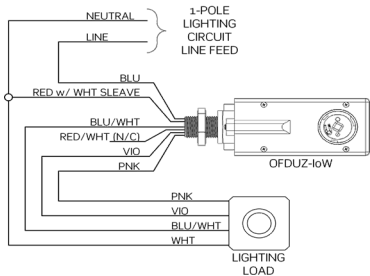
**Wiring Diagram OFD1Z**



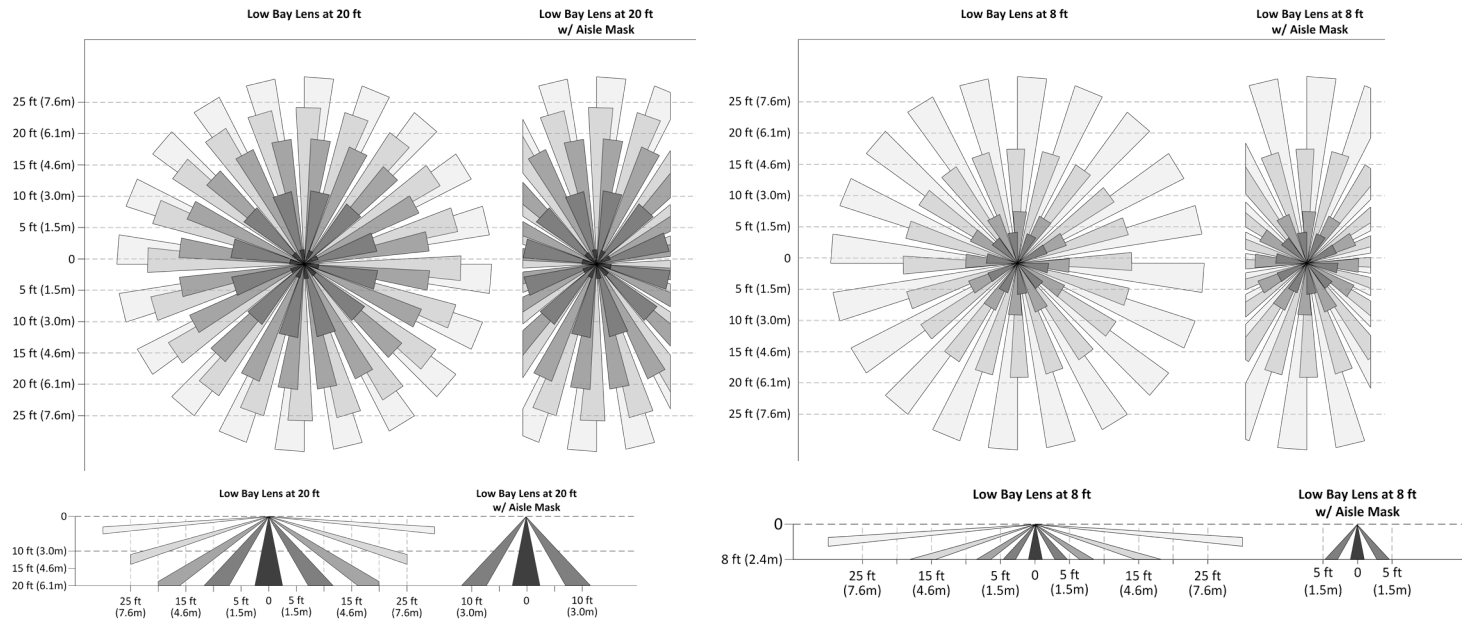
**Wiring Diagrams ZLDUZ**



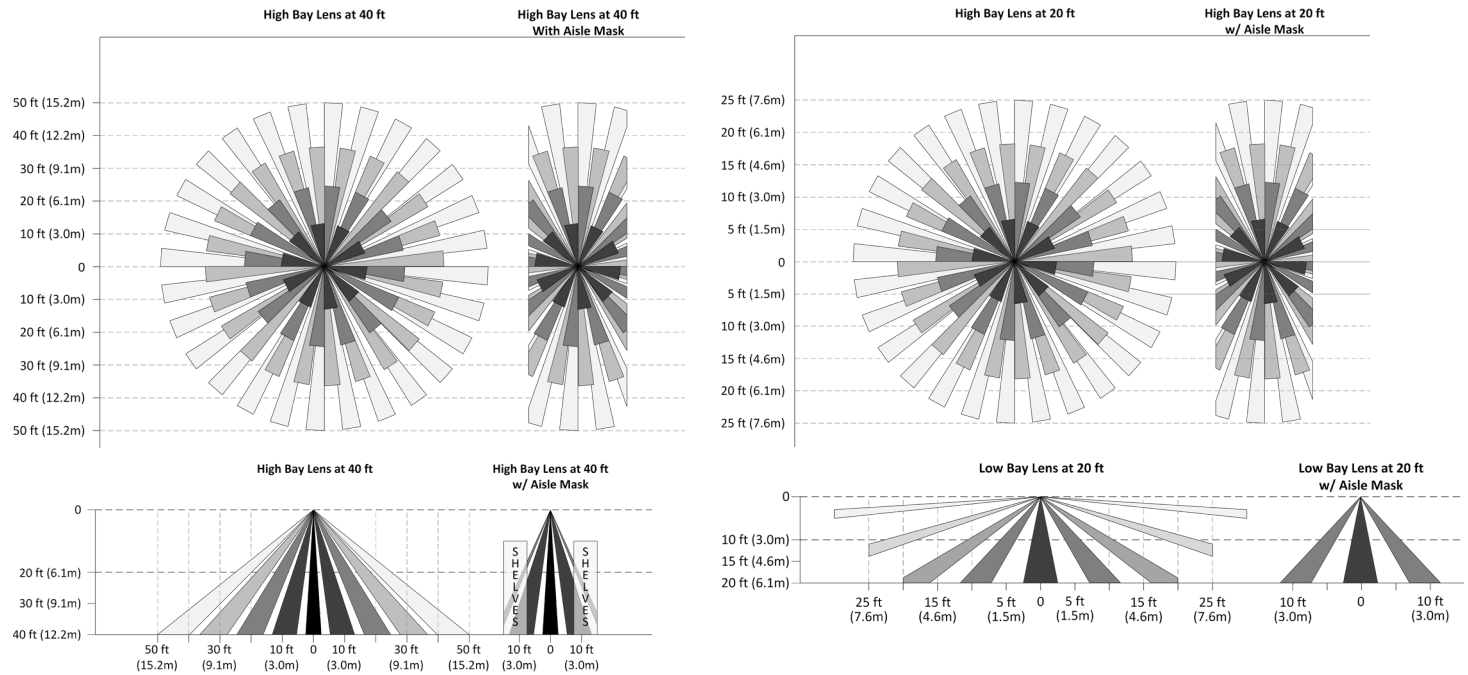
**Wiring Diagram OFDUZ**



## Field of View Diagrams—Low Bay Lens



## Field of View Diagrams—High Bay Lens



Mounting Height (Ft.)	Field of View Lens	Major (Sq.Ft.)	Minor (Sq.Ft.)
8	Low Bay	2050	900
15		1750	750
20		1850	350
20	High Bay	2300	1050
30		5300	800
40		8250	550

**Specifications**

Electrical	ZLD1Z	OFD1Z	OFDUZ	ZLDUZ
Input Voltage Frequency	120-277 VAC, 50/60 Hz		120-480VAC	
Input Current				
Max	15mA			
Standby	5mA			
Load Ratings - All Load Types				
120 VAC (1-Pole)	6.7A (800W)			
208 VAC (2-Pole)	—	5.0A (1150W)		
230 VAC (1-Pole)	5.0A (1150W)			
240 VAC (2-Pole)	—	5.0A (1200W)		
277 VAC (1-Pole)	5.0A (1400W)			
347 VAC (1-Pole)	—	5.0A (1700W)		
480 VAC (2-Pole)	—	5.0A (2400W)		
Motor 120-480 VAC	1/3 HP			
0-10V Dimming Control	50 mA (Sinking)			
Wire Lead Length	Terminals	30 Inches (762mm)		
<b>Environmental</b>				
Operating Temperature	-40° to 167° F (-40° to 75° C)			
Storage Temperature	-40° to 185° F (-40° to 85° C)			
Relative Humidity	0% to 90% RH, non-condensing			
Rating	IP66 (Type 3R)			
Pollution Degree	2			
<b>Other</b>				
Energy Codes	Can be used to comply with IECC, ASHRAE 90.1, and 2019 Title 24, Part 6 occupancy/vacancy sensing and dimming requirements			
Dimensions	Width: 1.39" (35.3 mm) Length: 3.75" (95.3 mm) Depth: 0.91" (23 mm)	Width: 2.14" (54.4 mm) Length: 6.12-6.63" (155.4-168.6 mm) Depth: 1.61" (41.0 mm)	Width: 2.14" (54.4 mm) Length: 6.12-6.63" (155.4-168.6 mm) Depth: 1.61" (41.0 mm)	Width: 1.80" (46.0 mm) Length: 3.80" (96.5 mm) Depth: 0.94" (24.0 mm)

## Ordering Information

### Smart IP66 PIR Integrated Fixture Mount Sensor

Cat. No.	Description
ZLD1Z-I0W	Dimming Daylight Harvesting PIR Occupancy Sensor; Internal Fixture Mount; 120-277VAC 50/60 Hz; IP65 Rating for High and Low-Temp, Water Tight, Indoor/Outdoor; Single Zone 0-10V Dimming, 120-277VAC single-pole 5A relay; 8-20' Lens and 20-40' lens included, bulk pack, 25/case
ZLDUZ-I0W	Dimming Daylight Harvesting PIR Occupancy Sensor; Internal Fixture Mount; Universal Voltage 120-480VAC 50/60 Hz; IP65 Rating for High and Low-Temp, Water Tight, Indoor/Outdoor; Single Zone 0-10V Dimming, 120-347VAC 2-pole 5A relay; 8-20' Lens and 20-40' lens included, bulk pack, 25/case
OFD1Z-I0W	Dimming Daylight Harvesting PIR Occupancy Sensor; End/Fixture Mount; 120-277VAC 50/60 Hz; IP65 Rating for High and Low-Temp, Water Tight, Indoor/Outdoor; Single Zone 0-10V Dimming, 120-277VAC single-pole 5A relay; 8-20' Lens and 20-40' lens included, bulk pack, 25/case
OFD1Z-ISW	Dimming Daylight Harvesting PIR Occupancy Sensor; End/Fixture Mount; 120-277VAC 50/60 Hz; IP65 Rating for High and Low-Temp, Water Tight, Indoor/Outdoor; Single Zone 0-10V Dimming, 120-277VAC single-pole 5A relay; 8-20' Lens and 20-40' lens included, individually boxed
OFDUZ-I0W	Dimming Daylight Harvesting PIR Occupancy Sensor; End/Fixture Mount; Universal Voltage 120-480VAC 50/60 Hz; IP65 Rating for High and Low-Temp, Water Tight, Indoor/Outdoor; Single Zone 0-10V Dimming, 120-347VAC 2-pole 5A relay; 8-20' Lens and 20-40' lens included, bulk pack, 25/case
OFDUZ-ISW	Dimming Daylight Harvesting PIR Occupancy Sensor; End/Fixture Mount; Universal Voltage 120-480VAC 50/60 Hz; IP65 Rating for High and Low-Temp, Water Tight, Indoor/Outdoor; Single Zone 0-10V Dimming, 120-347VAC 2-pole 5A relay; 8-20' Lens and 20-40' lens included, individually boxed

#### Leviton Manufacturing Co., Inc. Lighting & Controls

10385 SW Avery Street, Tualatin, OR 97062 **tel** 800-736-6682 **tech line** (6:00AM-4:00PM PT Mon-Fri) 800-959-6004

#### Leviton Manufacturing Co., Inc. Global Headquarters

201 North Service Road, Melville, NY 11747-3138 **tel** 800-323-8920 **tech line** (8:30AM-7:00PM ET Mon-Fri) 800-824-3005

Visit our Website at: [www.leviton.com/sensors](http://www.leviton.com/sensors)

©2022 Leviton Manufacturing Co., Inc. All rights reserved. Subject to change without notice.